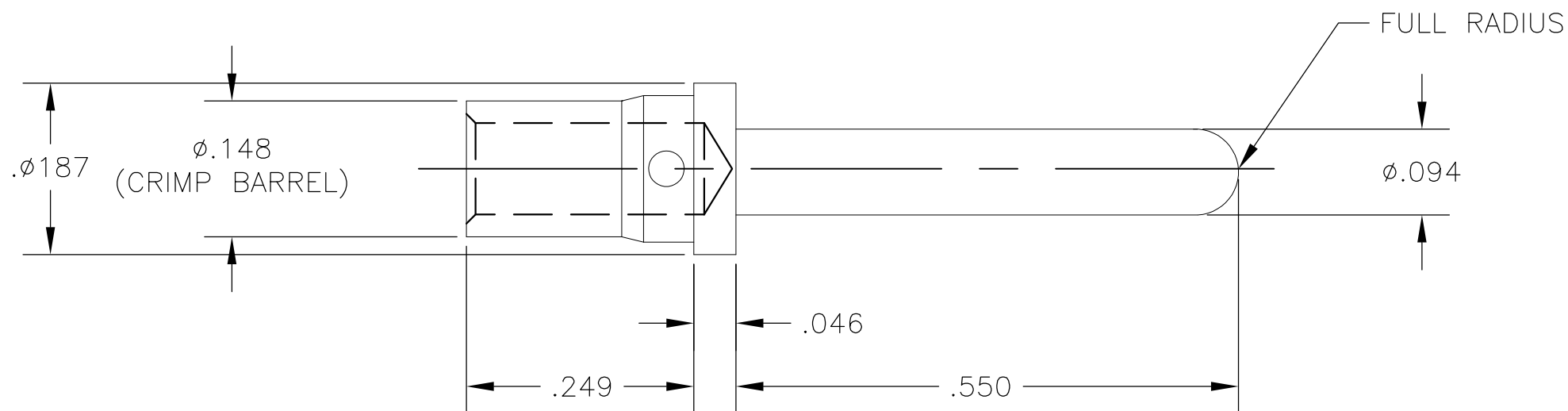


THIS DRAWING IS UNPUBLISHED. RELEASED FOR PUBLICATION
 © COPYRIGHT - BY TYCO ELECTRONICS CORPORATION. ALL RIGHTS RESERVED.

LOC	DIST	REVISIONS					
GP	00	P	LTR	DESCRIPTION	DATE	DWN	APVD
			B	REV PER ECO-08-014775	25JUN08	RG	DO



- 5. REFERENCE ELCON SERIES 701-12-02107
- 4. FINISH: SILVER PLATED .000200 MIN THK. OVER NICKEL .000050 MIN THK.
- 3. MATERIAL: COPPER ALLOY
- 2. ITEMS PROVIDED TO THIS SPECIFICATION SHALL BE IDENTIFIED ON THE CONTAINER WITH THE FOLLOWING INFORMATION: PART NUMBER & DATE CODE OF MANUFACTURE.
- 1. PART NUMBER CHANGES AND/OR DESIGN CHANGES AFFECTING ITEM INTERCHANGEABILITY REQUIRE PRIOR TYCO ELECTRONICS APPROVAL AND AUTHORIZATION BY REVISION TO THIS DRAWING.

1766193-1
PART NUMBER

THIS DRAWING IS A CONTROLLED DOCUMENT.		DWN R.GRZYBOWSKI 31MAR06	Tyco Electronics Corporation Harrisburg, PA 17105-3608			
DIMENSIONS: INCHES	TOLERANCES UNLESS OTHERWISE SPECIFIED:	CHK S.FLICKINGER 31MAR06	NAME			
	0 PLC ± -	APVD S.FLICKINGER 31MAR06	PIN CONTACT, SIZE #12			
	1 PLC ± -	PRODUCT SPEC	CRIMP, STANDARD, .43 PIN EXT.			
	2 PLC ± .02	APPLICATION SPEC	SIZE	CAGE CODE	DRAWING NO	RESTRICTED TO
	3 PLC ± .010	—	A3	00779	C-1766193	—
MATERIAL SEE NOTE 3	4 PLC ± -	WEIGHT	—			
	ANGLES ± .5	CUSTOMER DRAWING	SCALE	SHEET	REV	
	FINISH		6:1	1 OF 1	B	